

DIN-Rail Power Supply Quick Guide

PRODUCT MODEL:APD-2 VERSION:v1.0

Notice:

Please read this manual carefully before using products and keep it in the place where O&M providers can easily find.

Due to product upgrade and other factors, the content of this manual might change from time to time. Please take actual product as standard and get latest manual from www.solarman.cn or sales. Unless otherwise agreed herein, this manual will only be used as guidance. Any statement, information or suggestion in this manual will not take any form of responsibility.

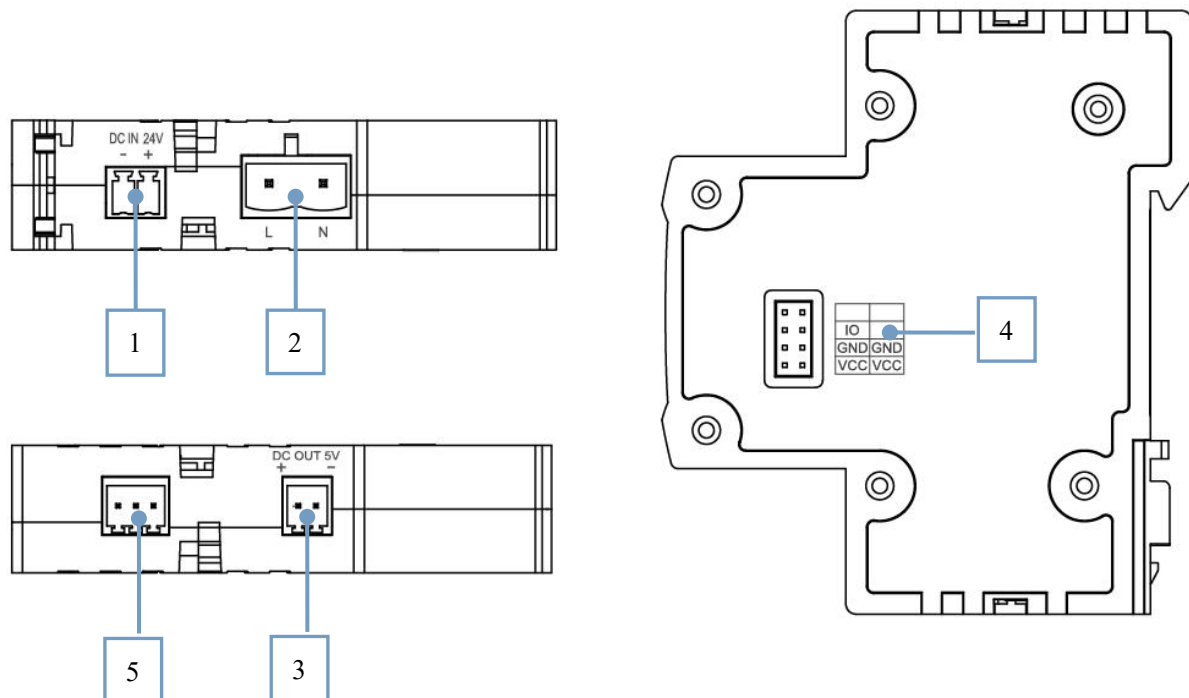
Without written permission, any content of this document (partly or entirely) cannot be extracted, copied or transmitted in any form by any company or individual.

1. Product Introduction

1.1 Description

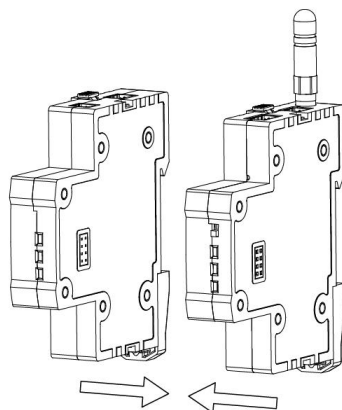
DIN-Rail Power Supply is used to power DIN-Rail Logger or other DC 5V input device at the scene. According to the actual situation, customers can choose AC85~265V or DC 24V power input. If the power station does not have power supply, built-in super capacitance keeps DIN-Rail Logger operational for 20s longer, and sends power-off message to the server.

1.2 Interface introduction

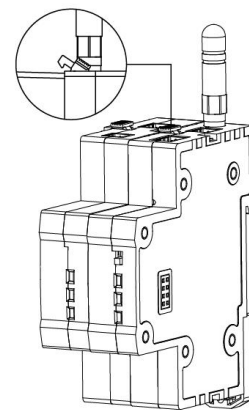


No.	Interface	Function	Description
1	DC IN 24V	DC input	24V DC input (Distinguish between positive pole and negative pole when wiring.)
2	L N	AC input	85-265V AC input (L connecting Live Wire, N connecting Neutral Wire.)
3	DC OUT 5V	DC output	Connecting power adapter (Distinguish between positive pole and negative pole when wiring.)
4	Female Header	Power DIN-Rail Logger	Insert Female Header into Pin Header of DIN-Rail Logger, providing 5V power supply
5	Reservation	No function	No function

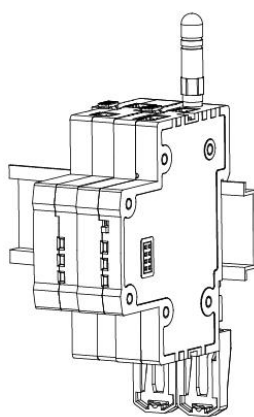
2. Butt-joint installation with DIN-Rail Logger



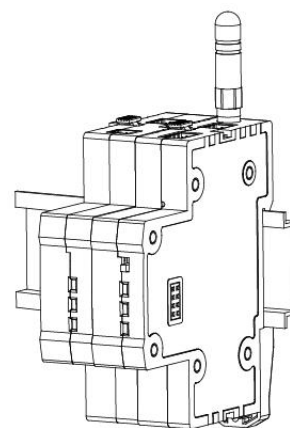
1. Joint logger with front-end equipment



2. Fasten the buckle



3. Put these two devices on the rail and push into the buckle



4. Installation completed

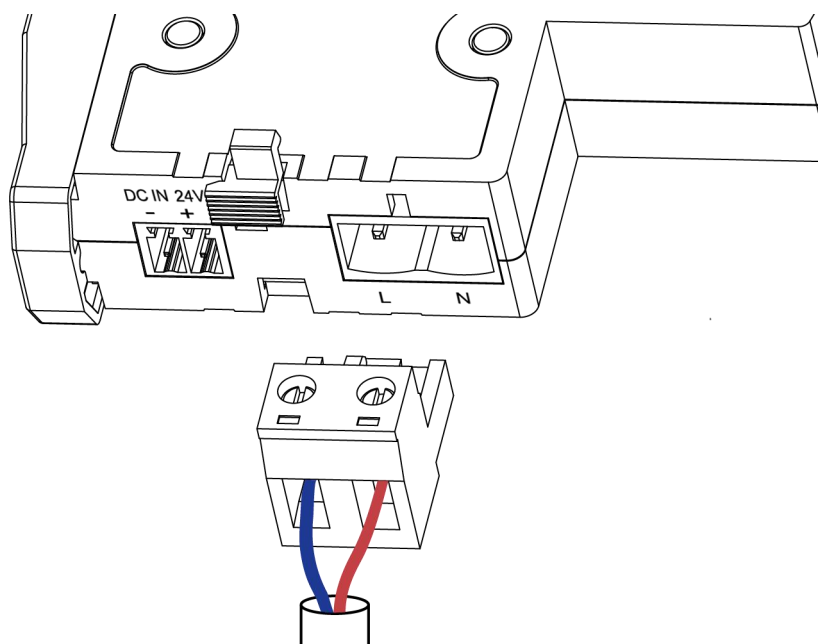


3. Power supply wiring instruction

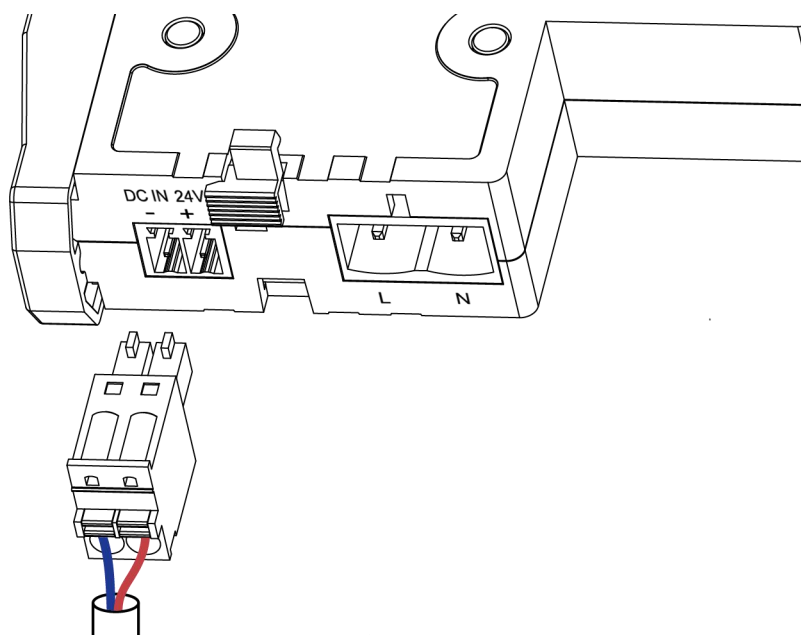
Din-Rail Logger supports two ways of power supply(AC input and DC input).

(Notice:Choose one way at a time. Do NOT choose two ways of power supply at the same time, which will cause damage.)

3.1 AC input wiring

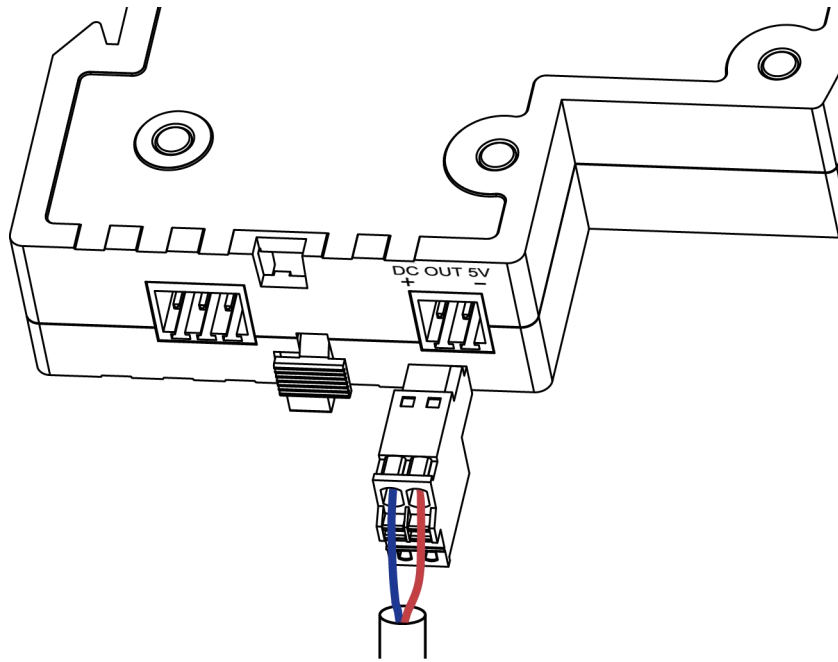


3.2 DC input wiring





3.3 DC output wiring





3.4 Indicator light

After being powered on normally, AC IN or DC IN indicator light keeps on.

Light identification	Light implication	State description
	AC input indicator light	1. OFF: Abnormal connection with power supply 2. ON: Powered on successfully
	DC input indicator light	1. OFF: Abnormal connection with power supply 2. ON: Powered on successfully

